

PART NUMBER: ETS240250UTC-P5P-SZ**DESCRIPTION:** switching power supply**INPUT**

rated input voltage	100 V ~ 240 V ac
input voltage range	90 V ~ 264 V ac
rated frequency	50~60 Hz
frequency range	47~63 Hz
rated input current	1.5 A RMS max.
inrush current	50 A max. at 115 / 100 A max. at 230 V ac cool start
no load power consumption	0.5 W max. (CEC compliant)

OUTPUT

output voltage	24 V dc at 2.5 A
output min. current	0 A
line regulation	± 1%
load regulation	± 5%
over voltage protection	35 V max. (output shutdown)
short circuit protection	output shut down and auto restart
ripple voltage	240 mV (p-p) (100~240 V ac at full load)
efficiency	meets Energy Star / CEC Level IV

SAFETY & EMI

HI-POT	input to output	1500 V ac at 10 mA for 1 minute
insulation resistance	input to output	> 100 M Ohm at 500 V dc
safety approvals	UL/cUL, CE, GS	
EMI standard	FCC class B, CE, VCCI-II	
RoHS compliant	yes	
leakage current	3.5 mA	

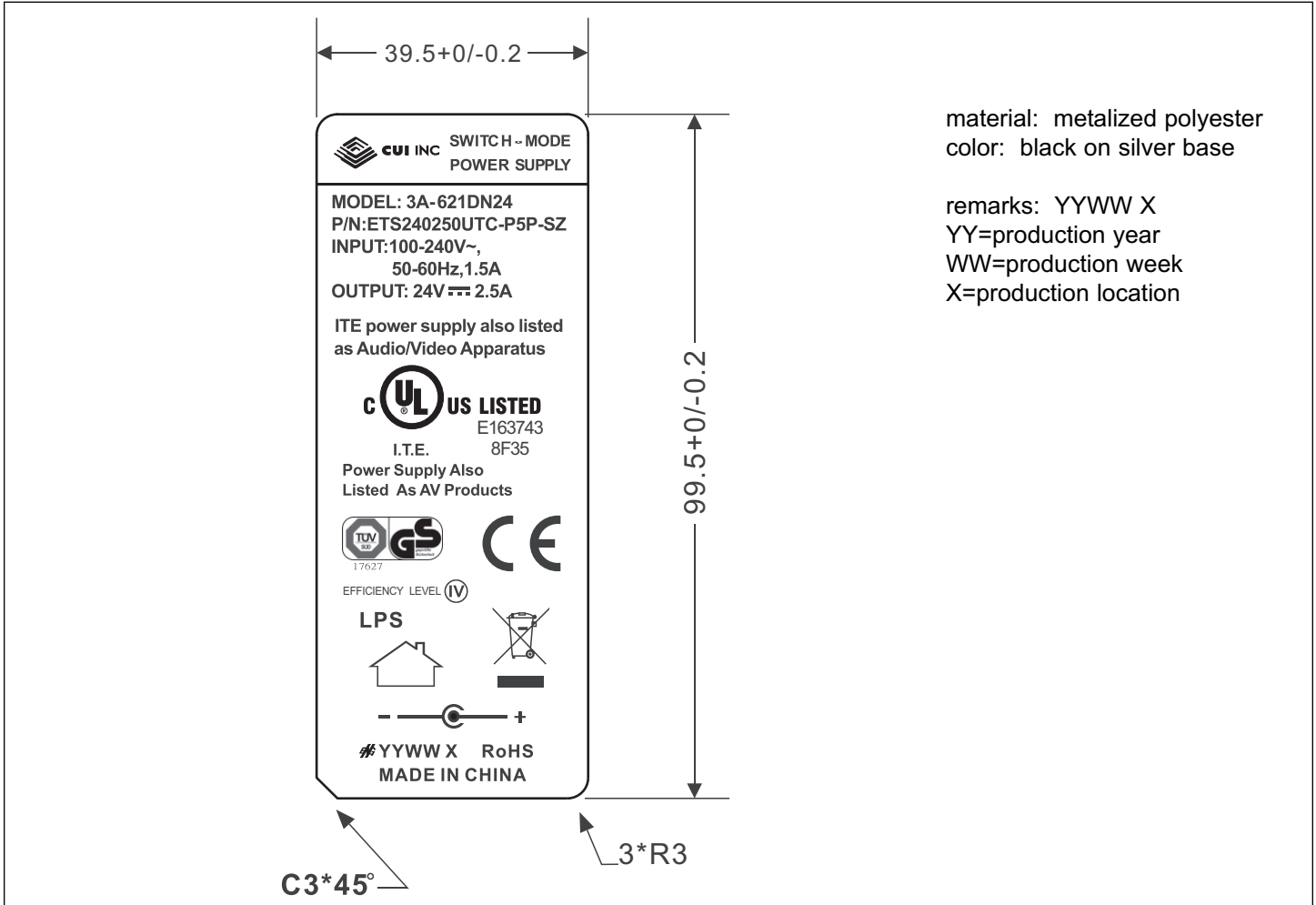
ENVIRONMENTAL

storage temperature	-10°C ~ +70° C
operating temperature	0°C ~ +40° C
storage humidity	10~90%
operating humidity	20~80%

PART NUMBER: ETS240250UTC-P5P-SZ

DESCRIPTION: switching power supply

LABEL

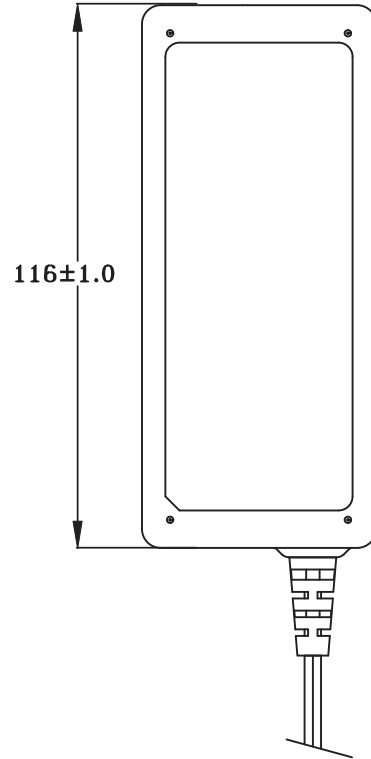
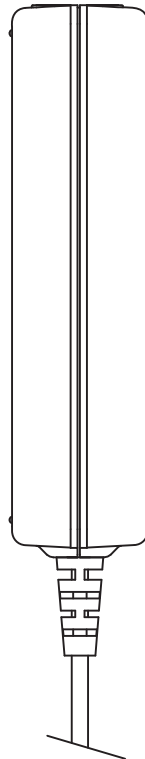
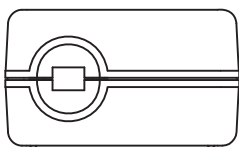
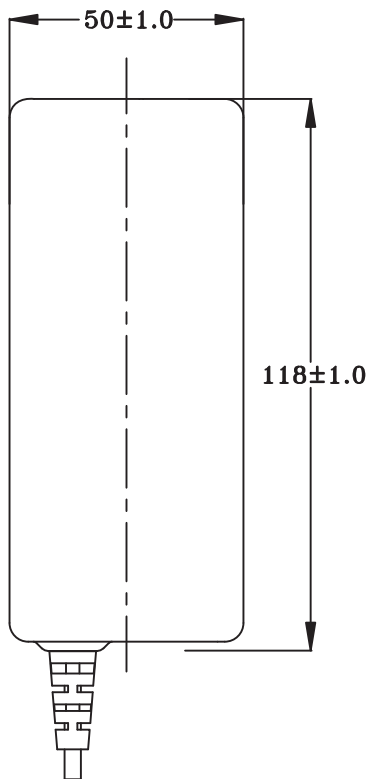
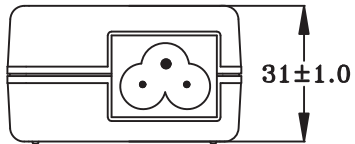


PART NUMBER: ETS240250UTC-P5P-SZ

DESCRIPTION: switching power supply

MECHANICAL DRAWING

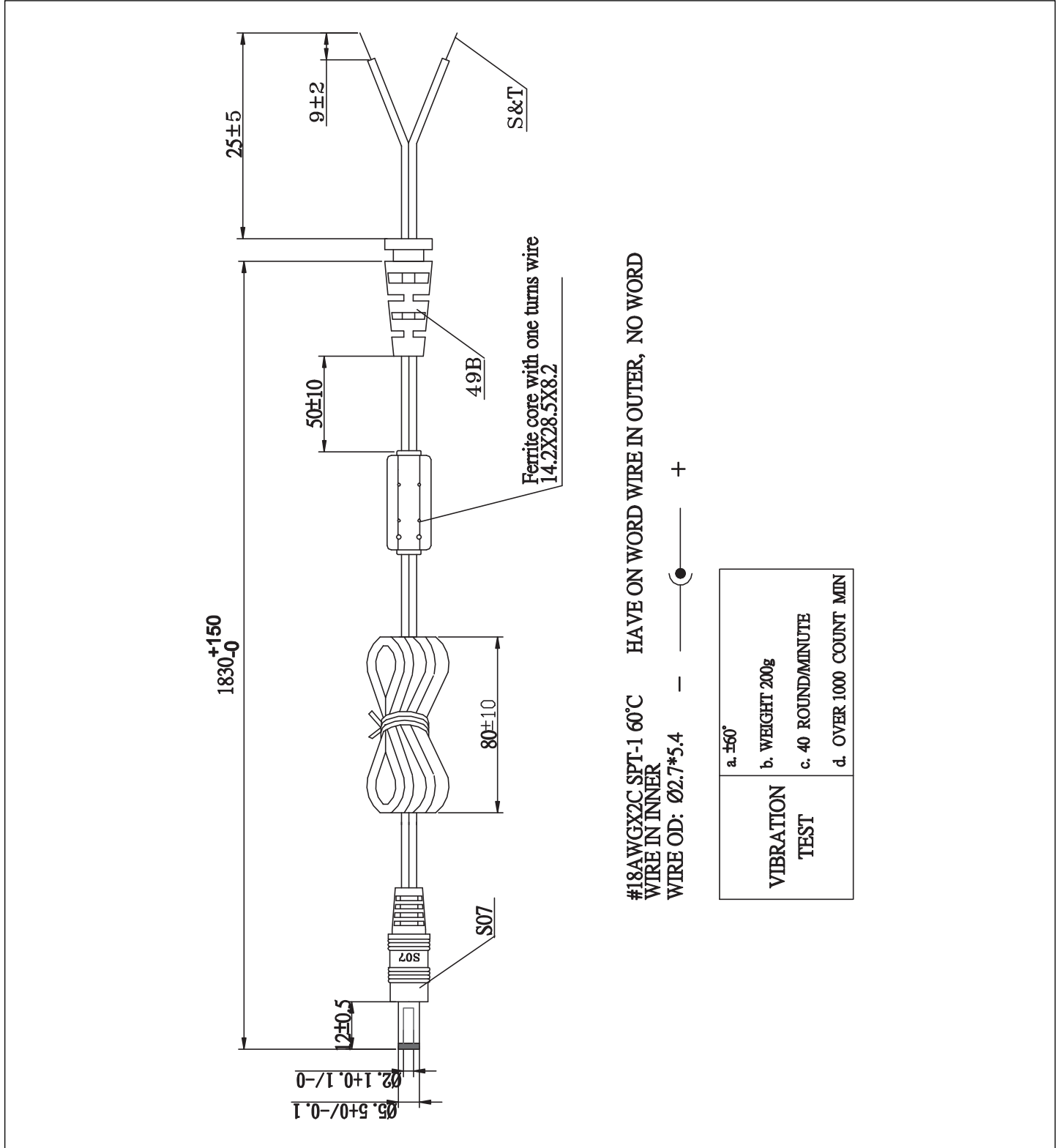
weight	485 g
case size	116 L x 50 W x 31 H mm
	tolerance: ±1



PART NUMBER: ETS240250UTC-P5P-SZ

DESCRIPTION: switching power supply

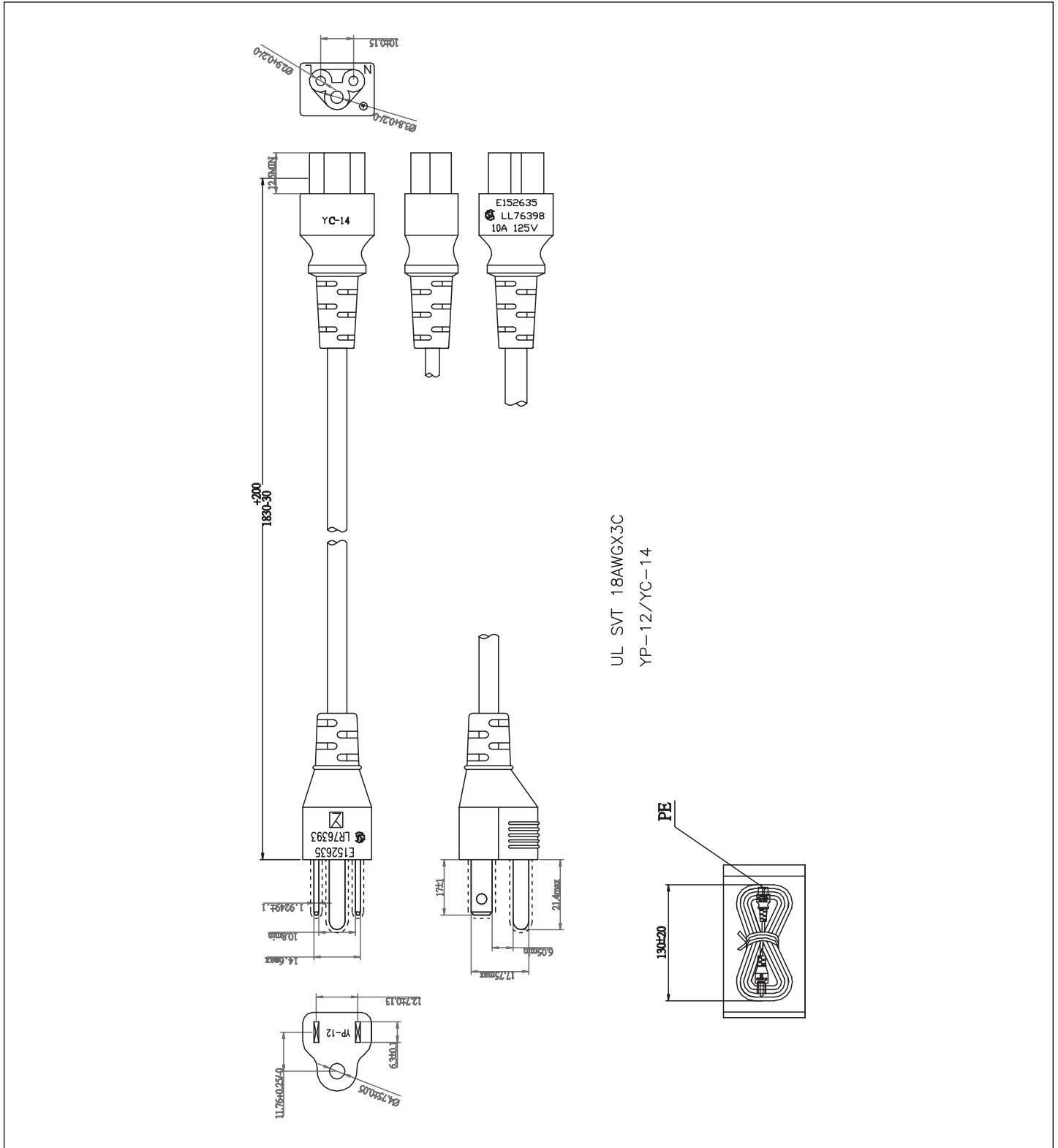
DC CORD

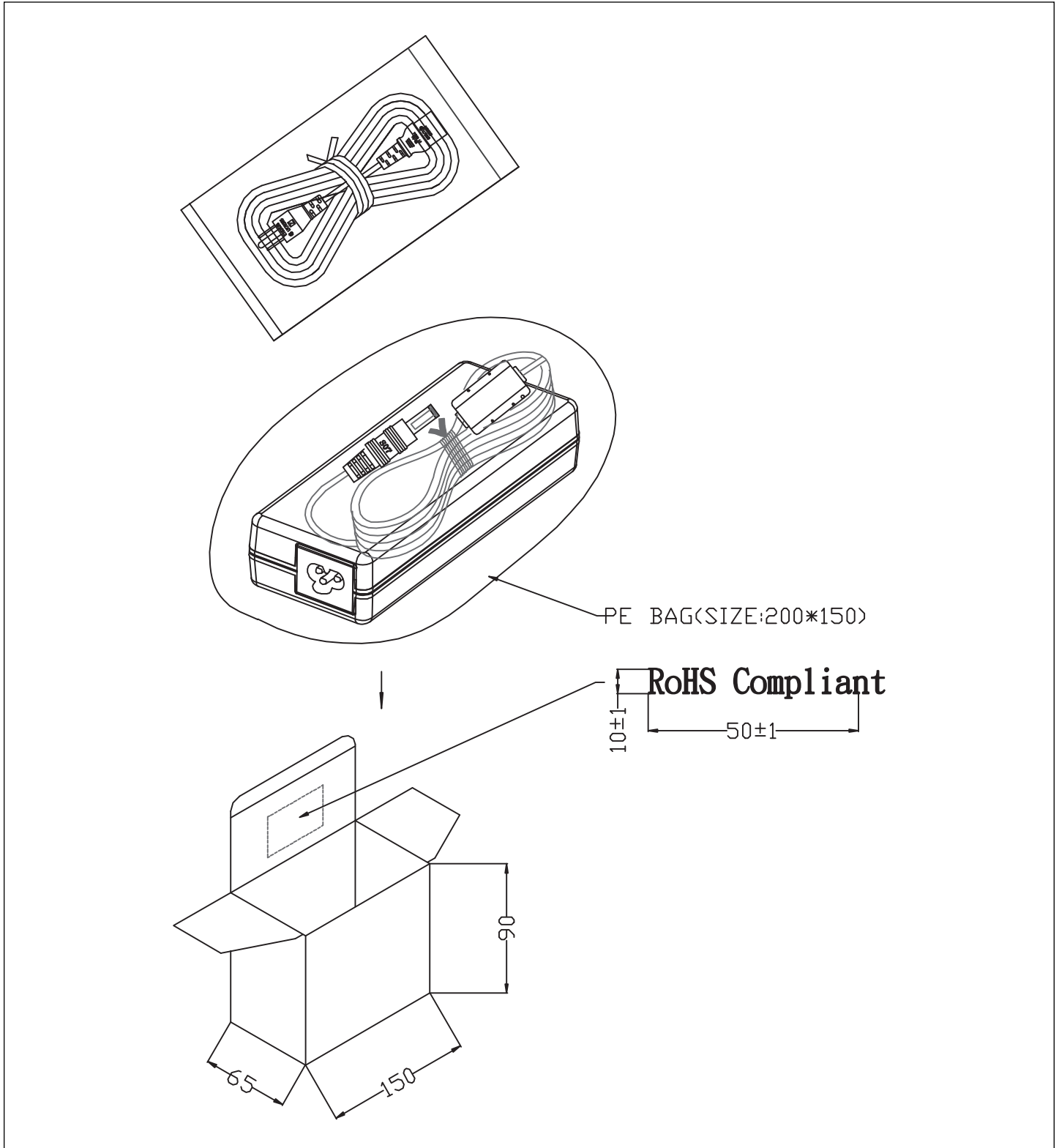


PART NUMBER: ETS240250UTC-P5P-SZ

DESCRIPTION: switching power supply

AC CORD

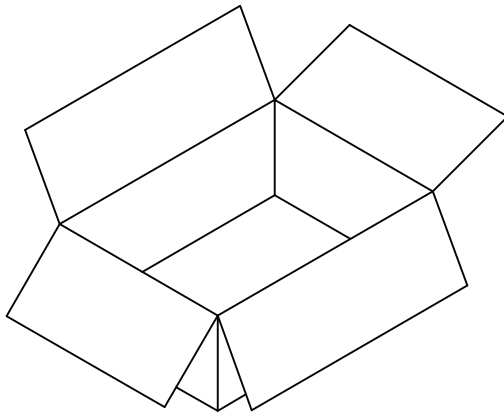


PART NUMBER: ETS240250UTC-P5P-SZ**DESCRIPTION:** switching power supply**INDIVIDUAL PACKAGING**

PART NUMBER: ETS240250UTC-P5P-SZ**DESCRIPTION:** switching power supply**PACKAGING**

CARTON SIZE: 480X477X167mm

Q'TY: 30pcs(15x2x1)

N. W: 14.5 KGS**G. W: 15.0 KGS****G. W: 15.8 KGS****"RoHS Compliant"**